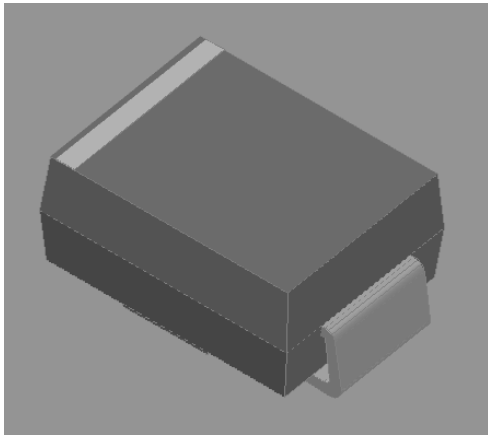




GifZUWY'Acibh'<][\ '9ZZ]W]Ybh'FYWh]Z]Yf'

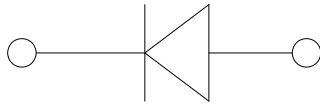


-:YUhi fYg''''
- Low profile package
- Ideal for automated placement
- Glass passivated chip junction
- High forward surge capability
- Super fast reverse recovery time
- Meets MSL level 1, per J-STD-020, LF maximum peak of 260 °C

.....Hmd]WU''5dd']WUh]cbg'

For use in high frequency rectification of power
` ct Å '

... ion
Molding compound meets UL 94 V-0 flammability rating, RoHS-compliant, halogen-free



HYf a]bU'g': Tin plated leads, solderable per J-STD-002 and JESD22-B102
Dc'Uf]hm.' Cathode line denotes the cathode end

AUI]a i a'FUh]b]g (Ta=25 Unless otherwise specified

D5F5A9H9F'	GMA6C@'	
------------	---------	--

	FFA'	J')\$'	%%\$'	&\$'\$	'\$\$'	(\$\$'	*\$\$'	,\$\$'	\$\$\$'
AUI]a i a'FAG'Jc'hU[Y'	JFAG'	J'	')'	+\$'	%(\$'	&%'	&,\$'	(&\$') *\$'	+\$'\$
AUI]a i a'87'V'cW_]b['Jc'hU[Y'	J87'	J')\$'	%%\$'	&\$'\$	'\$\$'	(\$\$'	*\$\$'	,\$\$'	\$\$\$'
5 jYfU[Y'fYWh]Z]YX'c i h d i h'W i f f Y b h'' 4 *\$< n'g]bY'kUjY z'fYg]ghUbWY''cUX z' H@'fi:] ['%L'='C'		5'	&\$'							
:cfkUfX'Gif[Y'7 ifYbh'fBcb!fYdYh]j]jYl' 4 *\$< n'<U'Z!g]bY'kUjY z%'WmW'Y z'H^ 1 &)	IFSM	A	50							
Forward Surge Current (Non-repetitive) @1ms, square wave, 1 cycle, Tj=25			100							
Current squared time @1ms t 8.3ms Tj=25 Rating of per diode	I²t	A²s	10.375							
Typical junction capacitance @Measured at 1MHz and Applied Reverse Voltage of 4.0 V.D.C	Cj	pF	32			17		12		
Storage temperature	Tstg		-55 ~ +150							
Junction temperature	Tj		-55 ~ +150							



Unless otherwise specified $T_a=25$

Parameter	GMA6C	IB-H	H9GH 7CB8-H-CBG	IG&5	IG&6	IG&8	IG&:	IG&;	IG&>	IG&?	IG&A
Maximum instantaneous forward voltage drop per diode	VF	V	IFM=2.0A		1.0			1.3		1.7	



.....

CfXYf]b[-bZcf a Uh]cb (Example)

DF9:9F98'D#B	D57?-B ; 7C89	IB-H' K9= ; <Hfl[t	A=B:A I A D57?5 ; 9fidWgt	
--------------	------------------	--------------------	------------------------------	--



YANGJIE ELECTRONIC TECHNOLOGY CO., LTD.

.....

YANGJIE ELECTRONIC TECHNOLOGY CO., LTD.



8]gW'U]a Yf'

The information presented in this document is for reference only. Yangzhou Yangjie Electronic Technology Co., Ltd. reserves the right to make changes without notice for the specification of the products displayed herein to g